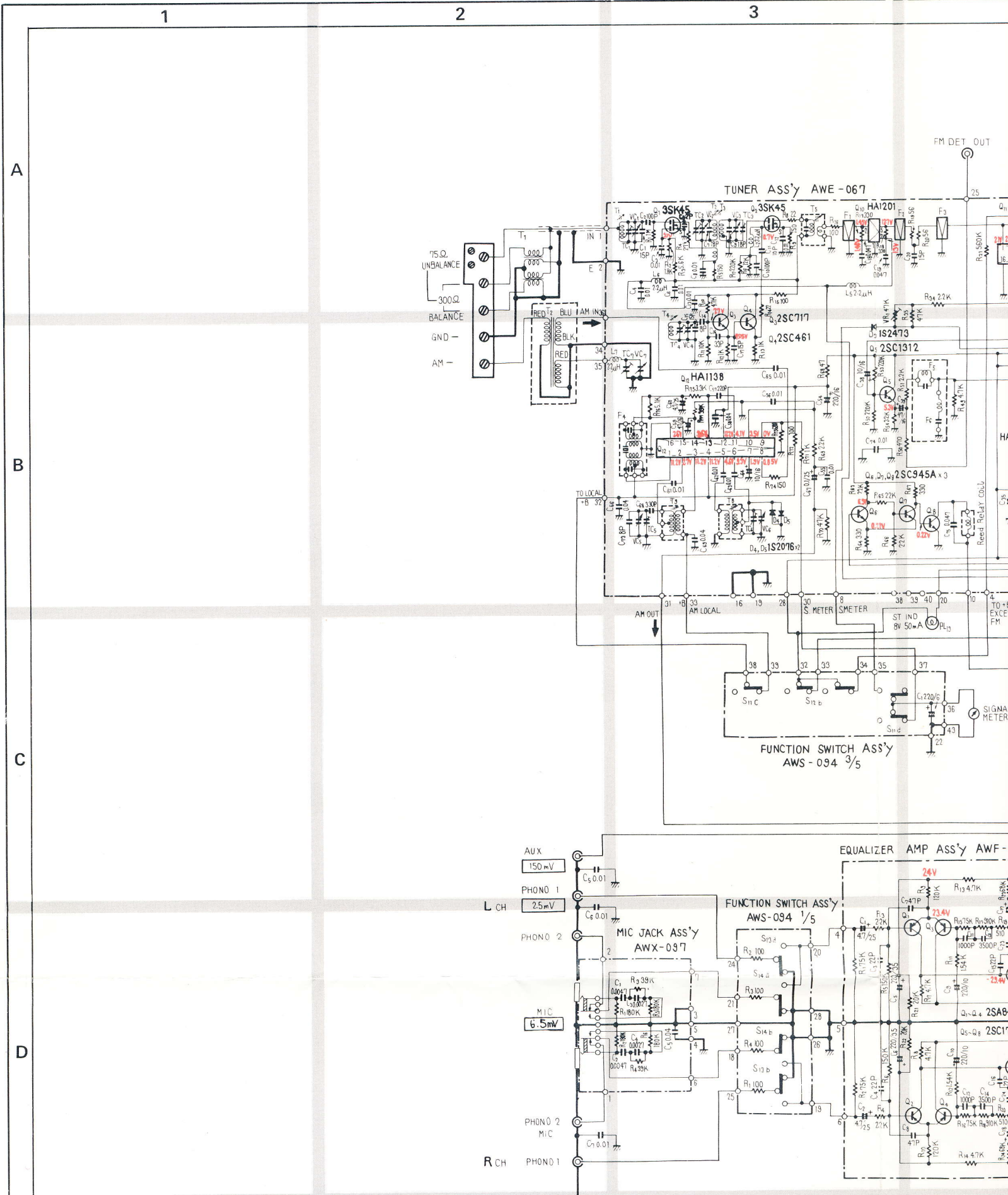
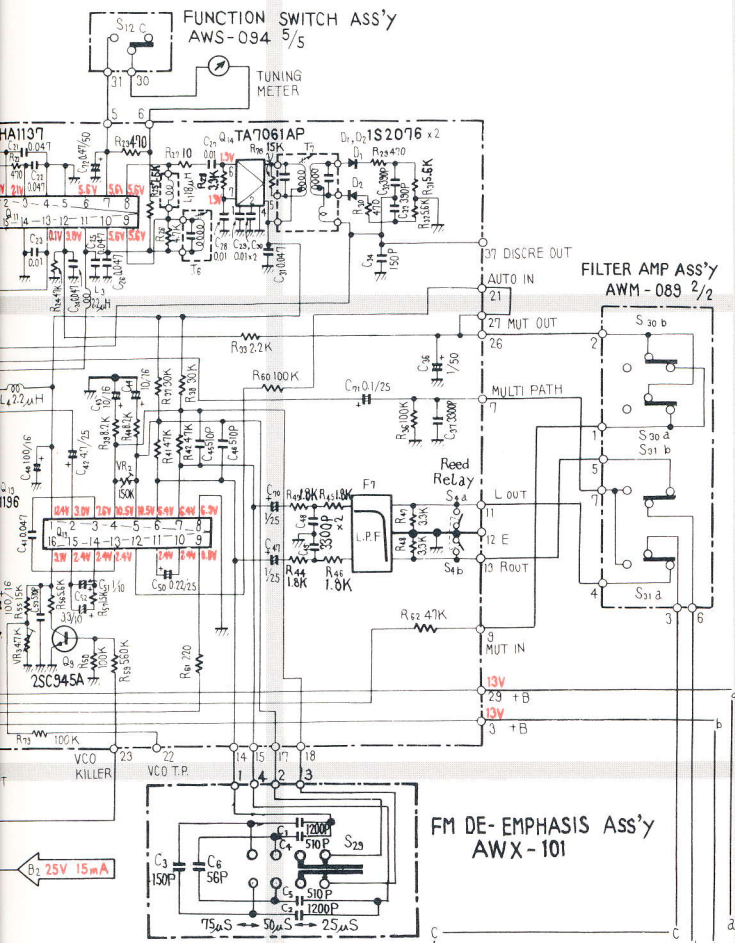


AM/FM STEREO RECEIVER

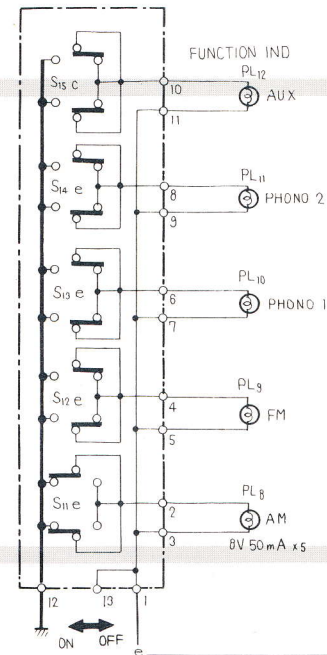
SX-1050

S

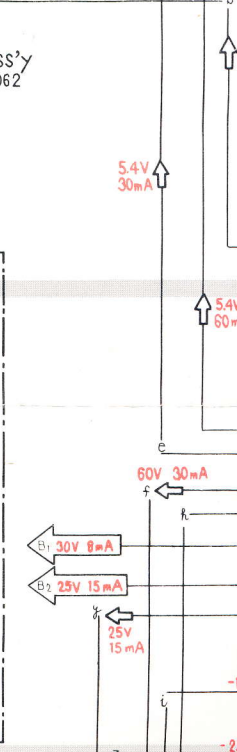
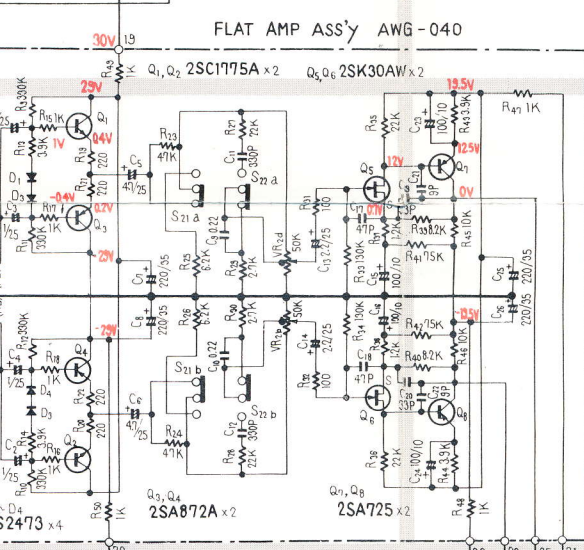
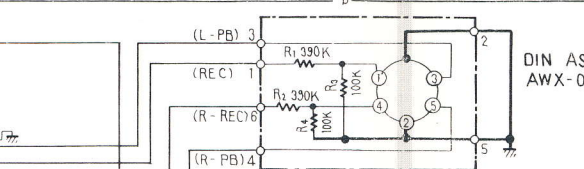
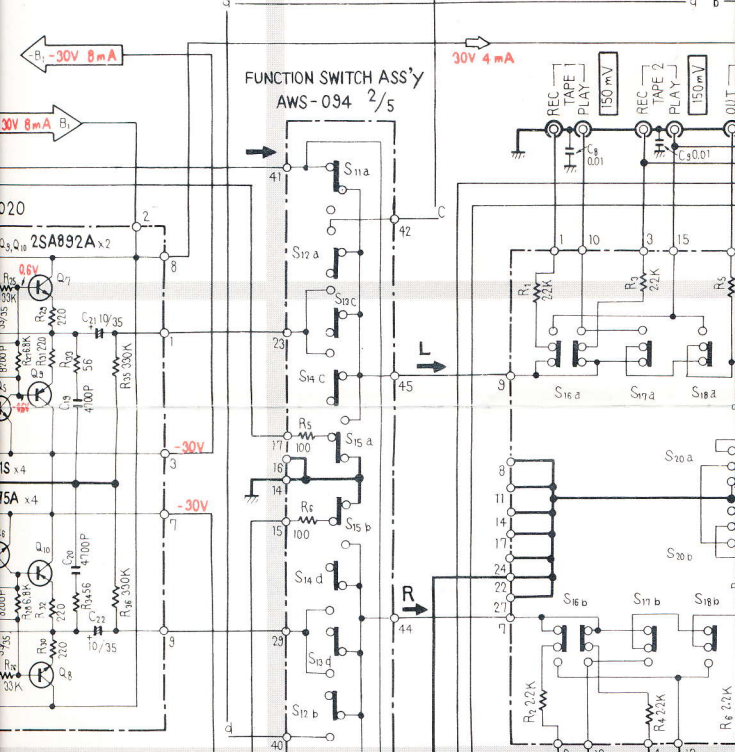
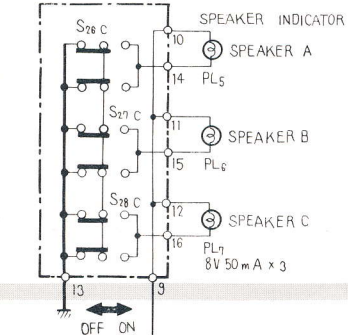




FUNCTION SWITCH ASS'Y AWS-094 4/5



SPEAKER SWITCH ASS'Y AWS-095 2/2



SWITCHES :

- S₁ POWER OFF — ON
- S₂ RELAY
- S₃ RELAY
- S₄ REED RELAY
- S₅ FUSE HOLDER 1.10V 2.120V 3.220V 4.240V
- S₁₁ AM OFF — ON
- S₁₂ FM OFF — ON
- S₁₃ PHONO 1 OFF — ON
- S₁₄ PHONO 2 / MIC OFF — ON
- S₁₅ AUX OFF — ON
- S₁₆ DUPLICATE OFF — ON
- S₁₇ TAPE MONITOR 1 OFF — ON
- S₁₈ TAPE MONITOR 2 OFF — ON
- S₁₉ ADAPTOR OFF — ON
- S₂₀ MODE STEREO — MONO
- S₂₁ MUTING OFF — -20dB
- S₂₂ LOUDNESS OFF — ON
- S₂₃ TONE OFF — ON
- S₂₄ HIGH FILTER OFF — 30 Hz
- S₂₅ LOW FILTER OFF — 8KHz
- S₂₆ SPEAKER A OFF — ON
- S₂₇ SPEAKER B OFF — ON
- S₂₈ SPEAKER C OFF — ON
- S₂₉ FM DE-EMPHASIS 75μS ↔ 50μS ↔ 25μS
- S₃₀ FM MUTING OFF — ON
- S₃₁ MULTIPATH OFF — ON

RESISTOR :

IN OHM, 1/4W, ±5% TOLERANCE UNLESS OTHERWISE NOTED.

CAPACITORS

IN μF UNLESS OTHERWISE NOTED P: pF

NOTES :



SIGNAL VOLTAGE AT SPEAKER OUT 30.9V/8Ω (1KHz)



DC CURRENT AT NO INPUT SIGNAL



DC VOLTAGE AT NO INPUT SIGNAL

SPEAKER INDICATOR

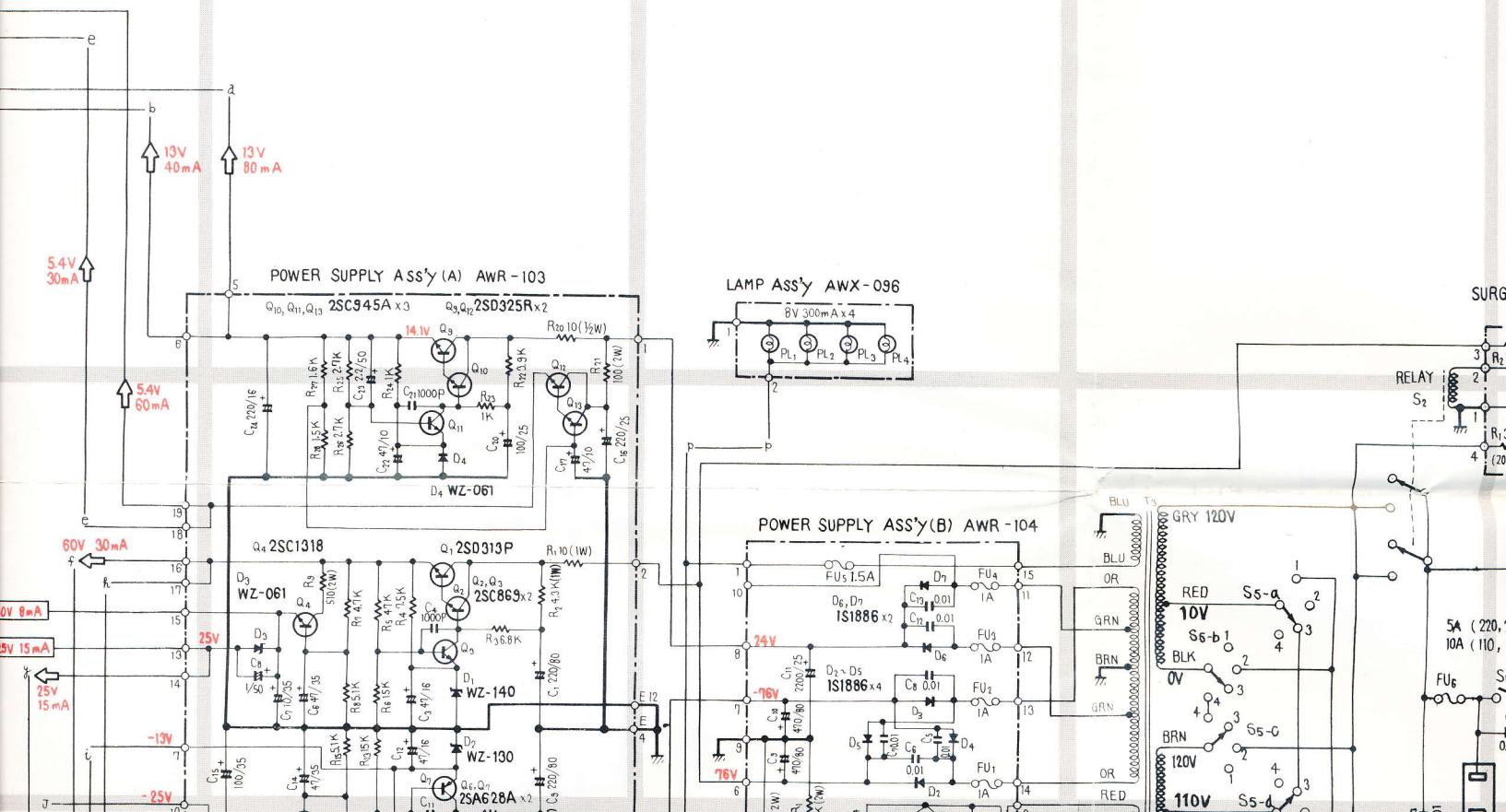
SPEAKER A

SPEAKER B

SPEAKER B

SPEAKER C

50 mA x 3



10

11

12

A

B

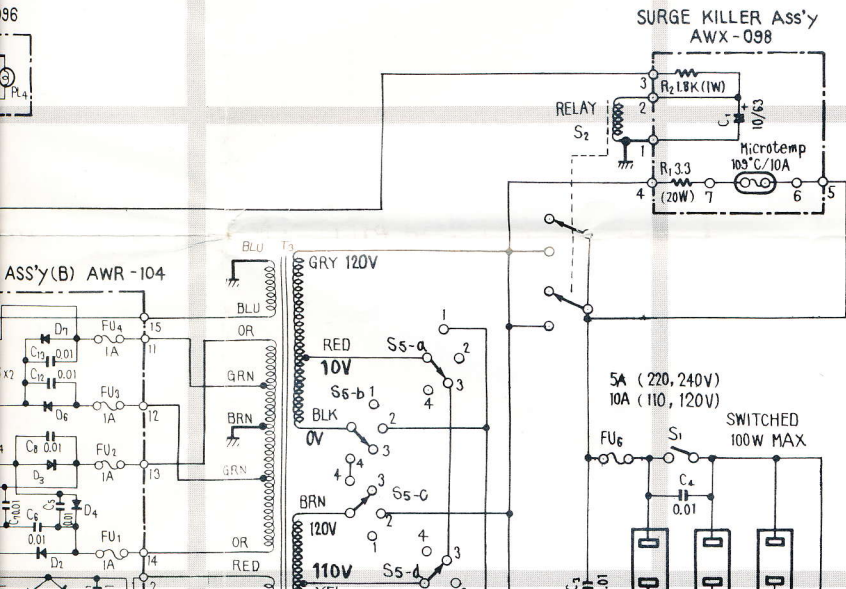
C

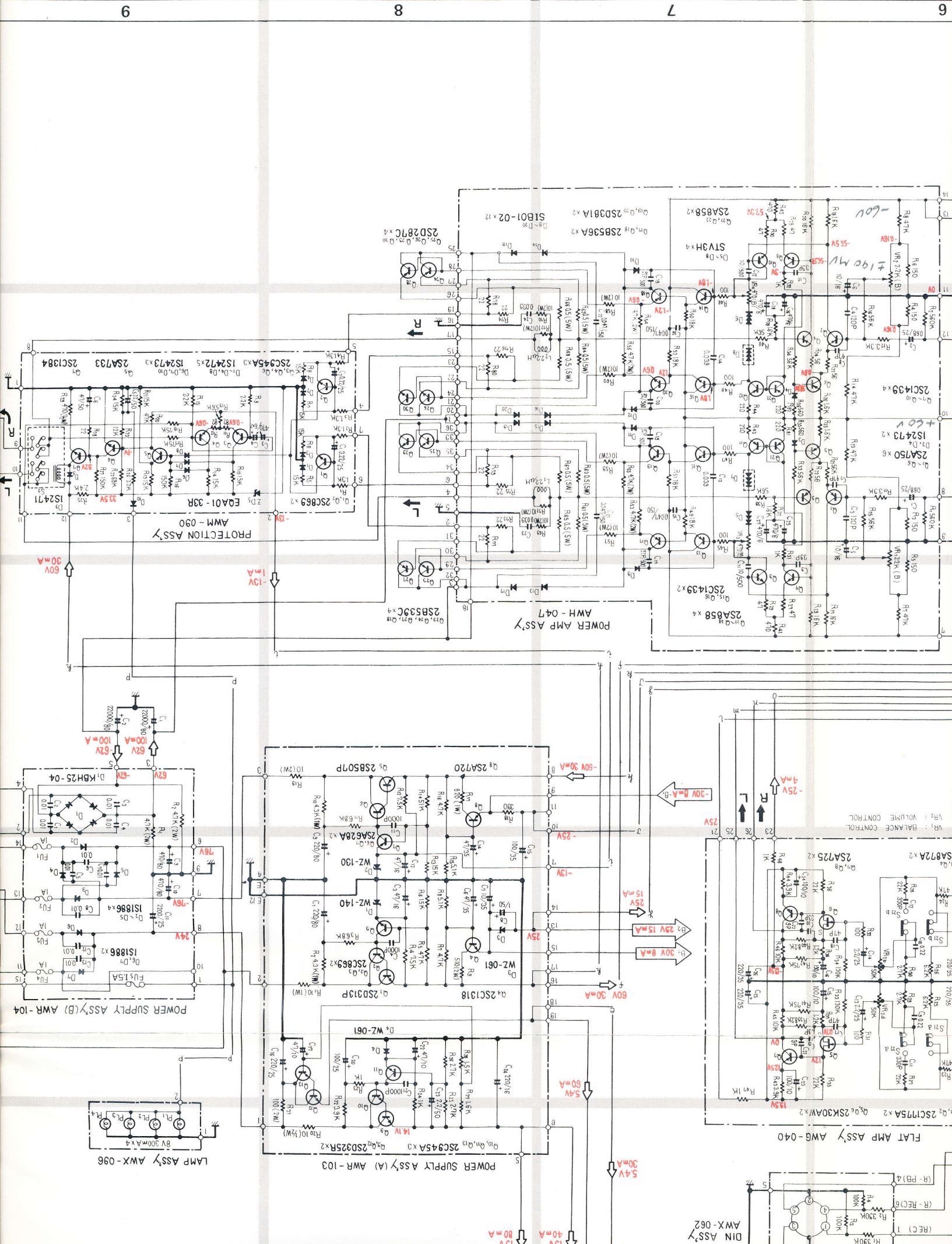
D

R :
 HM, 1/4W, ±5% TOLERANCE UNLESS
 OTHERWISE NOTED.

CAPACITORS
 UNLESS OTHERWISE NOTED P: pF

SIGNAL VOLTAGE AT SPEAKER OUT 30.9V/8Ω (1KHz)
 DC CURRENT AT NO INPUT SIGNAL
 DC VOLTAGE AT NO INPUT SIGNAL



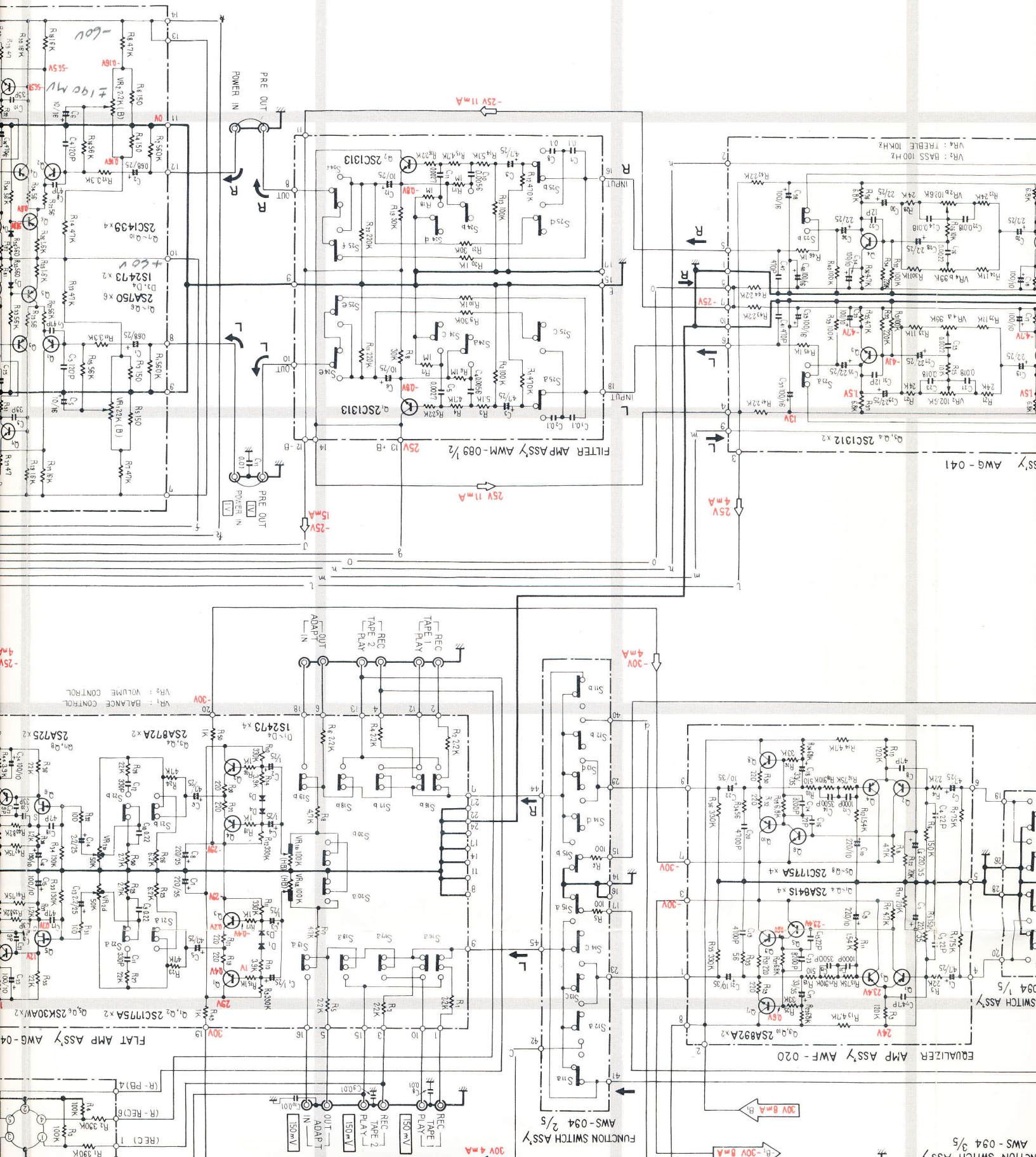


9

8

7

6



G

F

E

D

C

1

2

3

